



### 120 AETJ C 3D Compact

**Working height** .....11.95 m  
**Platform height**.....9.95 m  
**Horizontal outreach** .....7.00 m  
**Up and over height** .....4.77 m  
**Jib movement**.....+70° / -70°  
**Option 3D**.....+70° / -70°  
**Basket rotation**.....140°  
**Turret rotation** .....350°

**Platform capacity**.....200 kg/2 peoples  
**External use**.....45 km/h  
 (Maximum allowed wind speed)  
**Basket size**.....1.20 x 0.96 m

**Width** .....1.20 m  
**Length**.....5.48 m  
**Stowed length (storage)**.....3.74 m  
**Height** .....1.99 m  
**Stowed height (storage)**.....2.16 m

**Turning radius inside** .....1.55 m  
**Turning radius outside** .....3.25 m  
**Turning radius outside (basket)**.....3.34 m  
**Ground clearance** .....0.10 m  
**Wheel base** .....1.65 m  
**Drive speed** .....6.0 km/h  
**Working speed** .....0.6 km/h

**Gradeability** .....25%  
**Maximum slope accepted** .....5% or 3°

**Weight**.....6 550 kg

**Tires**.....0.60 x 0.19 m  
**Wheel steer**.....2 (front)  
**Wheel drive**.....2 (back)

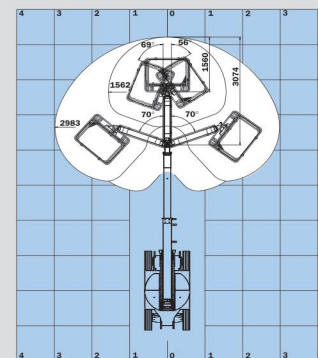
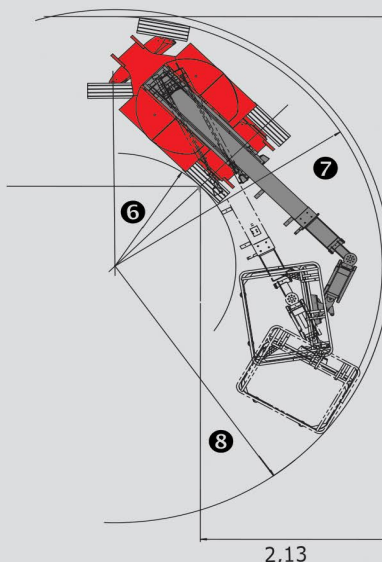
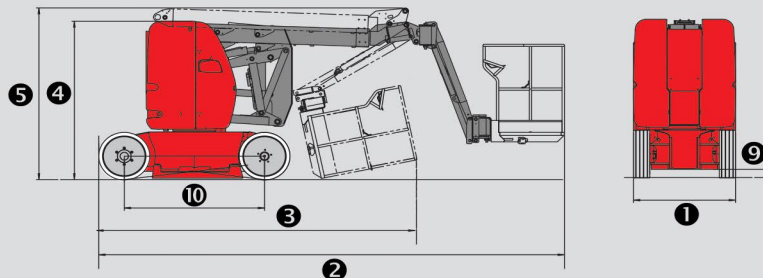
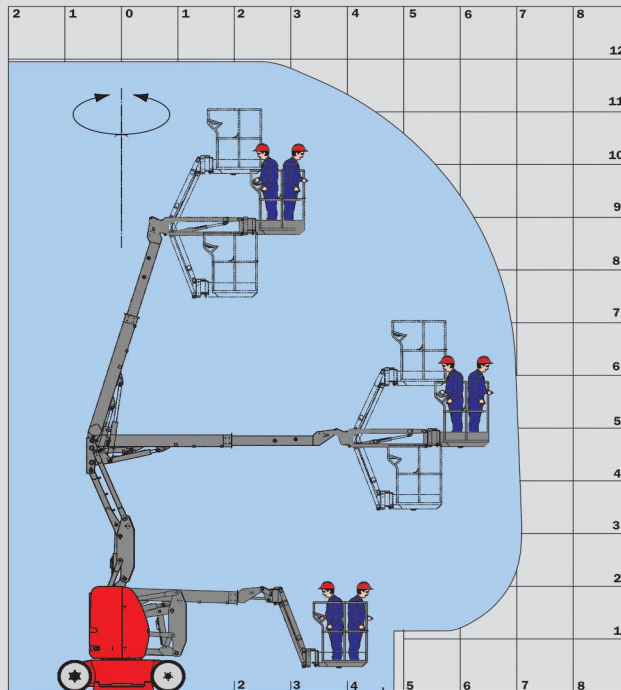
**Batteries**.....300 Ah / 2x24 V  
**Battery charger**.....45 Ah/48 V

#### Standard equipment

- Electrical battery traction
- Negative brakes
- Lifting brackets
- Hour meter
- Warning buzzer in the basket
- 220 V predisposal
- Voltage indicator
- Safety manual pump
- Basket with mesh floor
- Bus CAN technology
- Diagnostic help integrated
- Dual electrical motors
- Rubber and no marking tires
- Anti-roll system
- Integrated charger

#### Options

- **Jib rotation (3D)**
- High capacity battery (360 Ah)
- Electric plug in the platform with circuit breaker (230 V)
- Flashing light
- Drive alarm



Option 3D : Jib rotation

The equipment supplied with each model may differ from that described in this leaflet. For more details, contact your MANITOU dealer.

